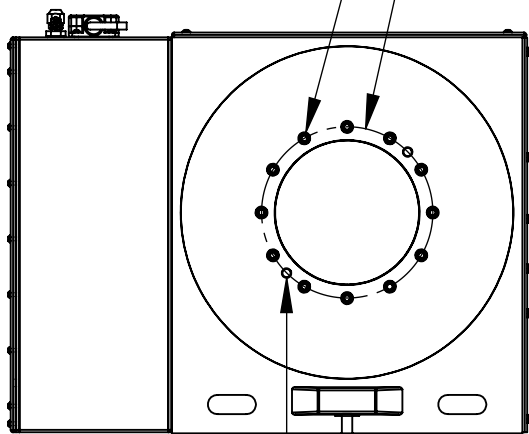
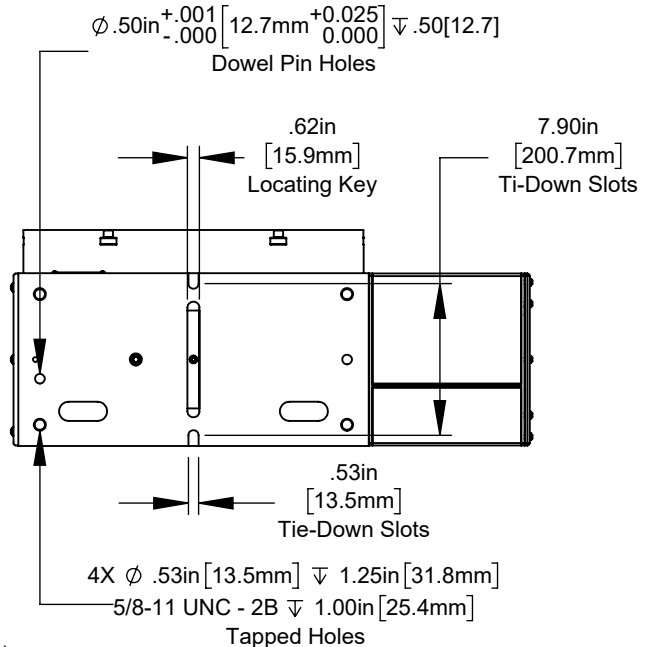


12X ϕ .41in [10.3mm] THRU ALL
 \square ϕ .63in [15.9mm] ∇ .38in [9.5mm]

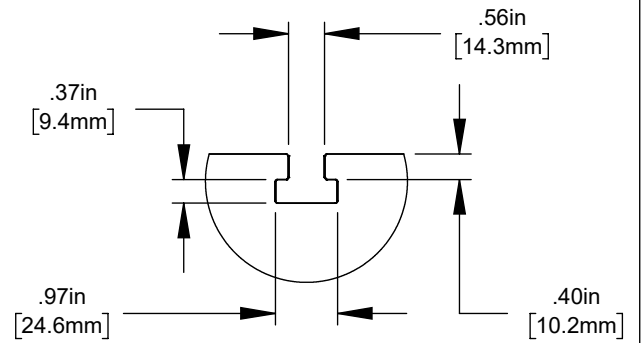
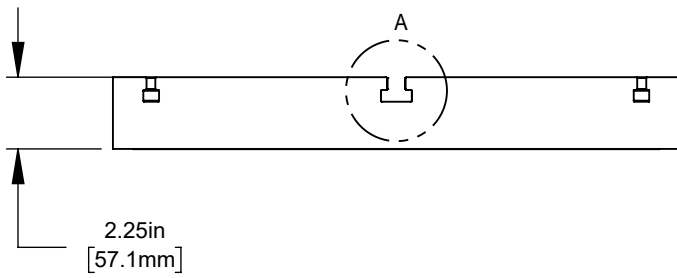
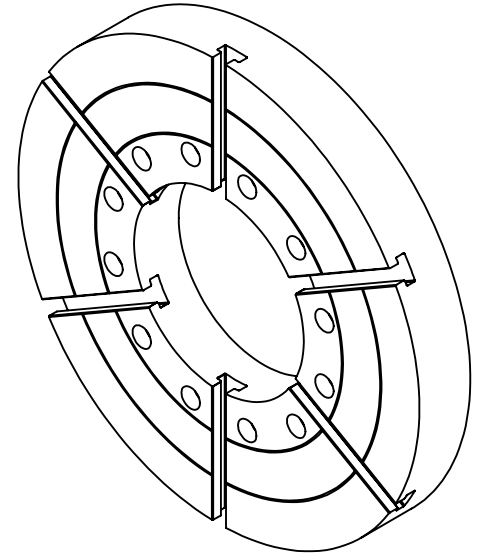
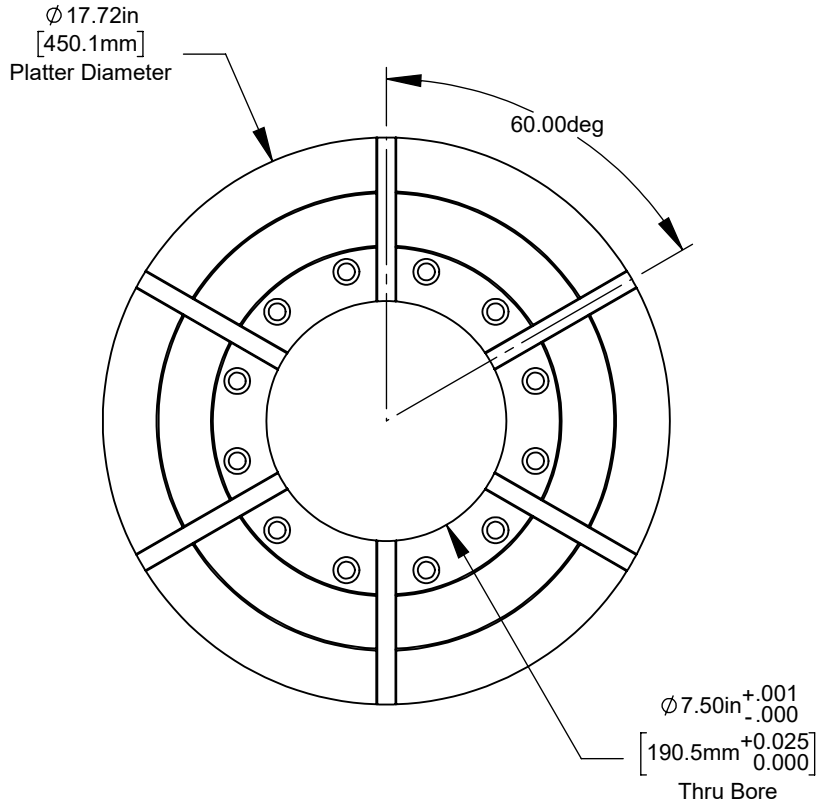
ϕ 8.92in [226.6mm]
 Bolt Hole Circle



2X ϕ .42in [10.7mm] ∇ .73in [18.6mm]
 1/2-13 UNC - 2B ∇ .63in [15.9mm]



All dimensions based on stackup of sheetmetal, subject to variation of 1/2" (13 mm)



DETAIL A
SCALE 1 : 3